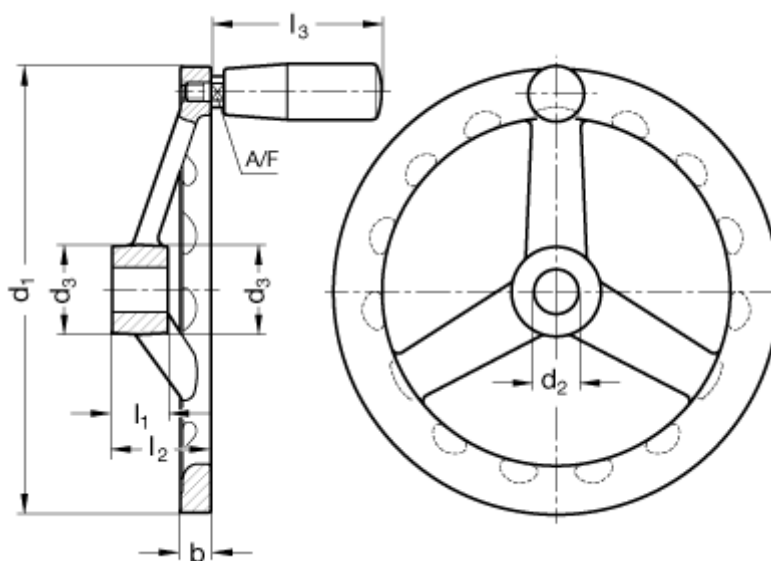


Article number: 201057314  
Description: E+G Handwheel  
GN 949-160-B14-D

## Measures



A/F	= 11	l3	= 71
b	= 11	Number of spokes	= 3
d1	= 160		
d2	= 14		
d3	= 31		
Handle diameter	= 23		
l1	= 20		
l2	= 35,5		